

The information contained in this drawing is the sole property of CWS Coil Winding Specialist. Any reproduction in part or whole without written permission of CWS Coil Winding Specialist is prohibited.

REVISION HISTORY		SIGN & DATE				
REV	ECN	DESCRIPTION	BY	DATE	CHK	DATE
B		PRODUCTION RELEASE	RPR	4/13/07	JLJU	4/13/07
C		REVISED DIMENSION AND LEADED PER CUST	AM	04/02/09	KLC	04/02/09

8 Non-RoHS COMPLIANCE AND LEADED

7 WHERE SHOWN, USING A PERMANENT MARKING METHOD MARK PART NUMBER AND REVISION WRAP INDUCTOR WITH GLASS TAPE TO THE CORE

6 MUST REST FLAT ON PCB. LEADS MUST BE TANGENT FLUSH WITH THE CORE EDGE, AS SHOWN (I.E. COIL REMOVE INSULATION AND TIN LEADS APPROX. 0.5 INCH

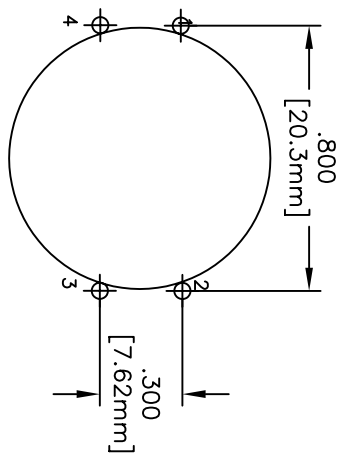
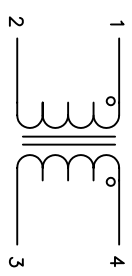
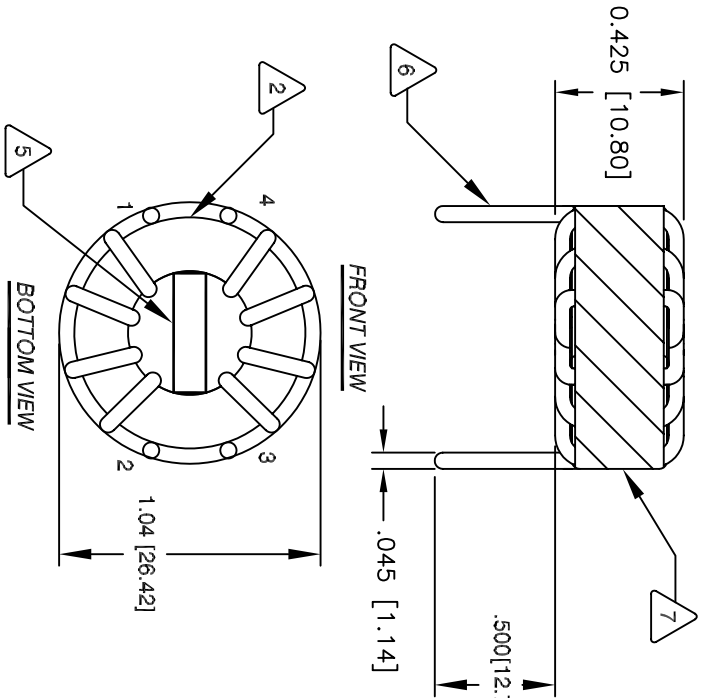
5 SPACER : UL 94-V0, NYLON 6/6 OR FR-4 EQUAL WIND BOTH COILS EVENLY SPACED

4 CONSTRUCTION:  
 HI-POT TEST = 500 VDC  
 INTER-WINDING CAPACITANCE = 12.80 pF  
 LEAKAGE INDUCTANCE = 5.5 uH  
 CURRENT RATING = 9 AMPS  
 DCR ON EACH WINDING = 6.5 MILLI-OHMS MAX  
 L = 880 uH MIN. 10 KHZ, 250 mV

3 SPECIFICATIONS:  
 VARNISH: DOLPHIS SYNTHITE AC-43 CLEAR AIR DRY WIRE: UL RECOGNIZED 200 °C RATED MAGNET WIRE CWS BYTEMARK OR OTHER APPROVED PART CORE: COATED FERRITE TOROID, HIGH PERM MNZN. MAGNETIC CORE ONLY

2 RATING CLASS B (130 °C MIN.) REQUIRED MATERIAL: UL RECOGNIZED 94V-0 FOR FLAMMABILITY

NOTES: UNLESS OTHERWISE SPECIFIED, ONLY THE PART NUMBERING IS CHANGED, EVERYTHING ELSE REMAINS THE SAME PART NO. CM-881U-9A-V HAS BEEN SUPERSEDED WITH CM-881U-9AB-V. READ FROM BOTTOM UP.



CODE IDENT	MFG. P/N	DESCRIPTION	ITEM NO.
		<b>PARTS LIST</b>	
AUTOCAD SOLIDWORKS	X	CWS Coil Winding Specialist 353 WEST GROVE AVE ORANGE, CA, 92665	
DRWN	DATE	ENGR.	APPR.
RPR	4/13/07	KSUM	JLJU
CHKD	4/13/07		
TITLE: Common Mode Line Choke			
SIZE	DWG. NO.	SCALE	REV
B	CM-881U-9AB-V	NA	C
DO NOT SCALE DRAWING			SHEET 1 OF 1